

# Specifications



## Certifications



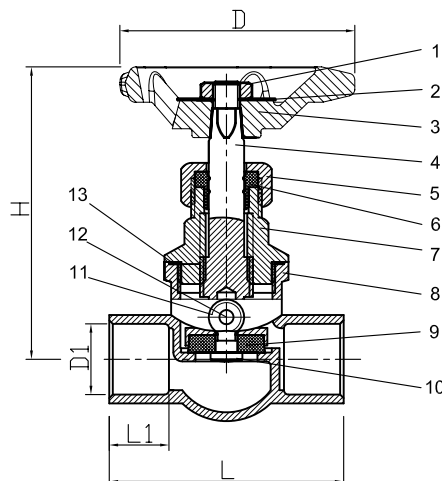
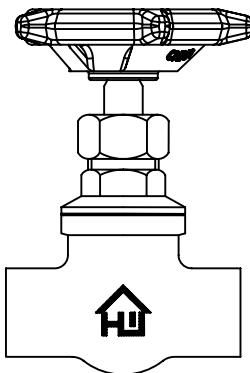
220-4-12-12

220-4-34-34

### Physical Characteristics

- Description: Stop & Waste Valve - Brass
- Connection Type: Solder x Solder
- Stop, waste and cap
- Handle Color: Yellow
- Max. Operating Temp. Rating: 82° F
- Max. Operating Pressure Rating: 125 PSI non-shock WOG
- This product complies with 0.25% weighted average lead content on wetted surfaces
- Meets ANSI/NSF 61-9 Low Lead Requirements

PART NO.	SIZE	L		L1		D1		H		D		WEIGHT g
		mm	In.	mm	In.	mm	In.	mm	In.	mm	In.	
220-4-12-12	1/2"	53	2.09	13	0.51	ø15.93-16.03	ø0.627-0.631	67.4-73.9	2.66-2.91	53.1	2.09	240
220-4-34-34	3/4"	66	2.60	19.5	0.77	ø22.28-22.38	ø0.877-0.881	67.4-73.9	2.66-2.91	53.1	2.09	279



NO.	DESCRIPTION	MATERIAL
1	Handle nut	Steel
2	Name plate	Aluminum
3	Handle	Cast iron
4	Stem	Brass
5	Packing nut	Brass
6	Packing	Rubber
7	Bonnet	Brass
8	Body	Brass
9	Disc	Rubber
10	Disc screw	Brass
11	Drain cup nut	Brass
12	Drain packing	Rubber
13	Washer	Teflon